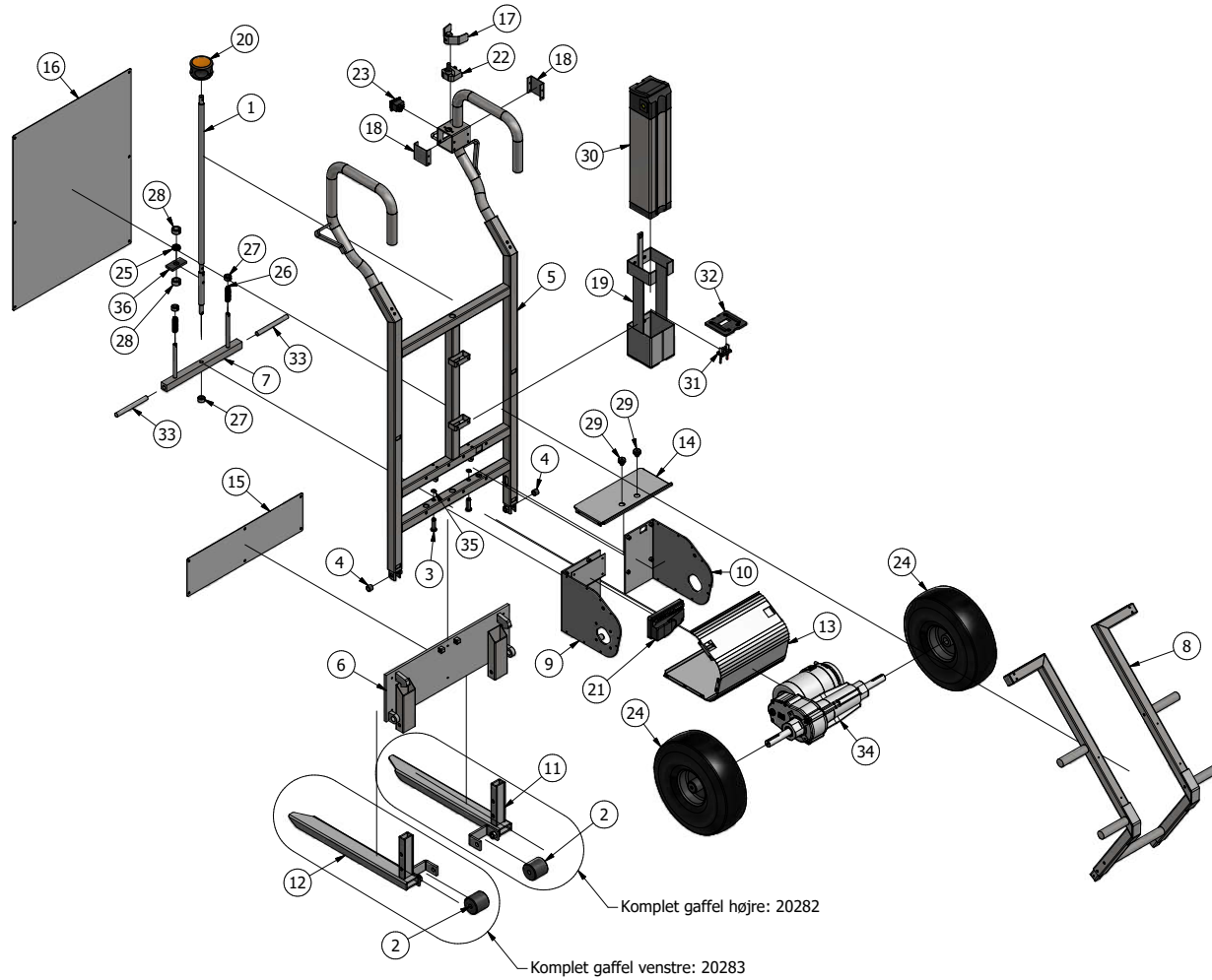


SmartMover Spare parts



POS.	ARTICLE	DESCRIPTION
1	20300	Shaft for lock
2	20301	Nylon roll, Ø50x50 mm
3	20302	Rivet, Ø16x38 mm
4	20303	Bushing Ø16x12 mm
5	20304	Frame
6	20305	Rotate plate
7	20306	Lock
8	20307	Frame fixation
9	20308	Suspension 1
10	20309	Suspension 2
11	20310	Fork, right
12	20311	Fork, left
13	20312	Motor cover
14	20318	Inspection hole
15	20313	Front plate, small
16	20314	Front plate, large
17	20315	Toogle switch
18	20316	Operation shutter
19	20317	Battery storage
20	20382	Ajustment grip
21	20383	Motor management
22	20384	Throttle speed forwards/backwards
23	20385	Switch for high/low speed
24	20386	Wheel
25	20391	Pressure spring, Ø20.9 mm
26	20392	Pressure spring, Ø12.5 mm
27	20394	Stopring, Ø10/20x10
28	20395	Stopring, Ø15/25x12
29	20396	Rubber bushing
30	20117	Li-Ion battery 24V 20AH
31	20399	Battery bottom, plug
32	20400	Battery bottom, socket
33	20401	Stainless steel, Ø12 x 120 mm
34	20381	Gearmotor DC 24V incl brake
	20112	Wiring complete for frame
	20130	Brake for motor
	20114	Ajustment string
	20302	Rivet for ajustment string
	20132	Charger, complete - plug with 3 legs
	20119	Charger, complete - jack plug
	20404	Charger plug - with 3 legs
	20409	Charger plug - jack plug
	20122	Charger for DX battery
	20403	Circuit board for battery
	20405	Battery top, complete
	20124	Key for battery
	20390	Rubber hose silicon, Ø30/25
	20407	Wheel for support wheel
	20408	Hairpin split
	20420	Fork for support wheel
	20507	Label - trouble shooting
	20508	Label - orange handle
	20509	Label - lifting
	20510	Label - high/low speed
	20511	Label - max 280 kg
	20513	Label - top of battery
	20282	Complete fork, right
	20283	Complete fork, left

If you want to order a new charger for your SmartMover battery, it is important to know the variant of your battery. You see, we have different types of batteries and thus different types of chargers.

First and foremost, you must take a look at the top of your battery, and then the plug. These two combined show what type of charger you need.

Below you can see an overview of which types of batteries fit which type of chargers:

Charger - DX battery
Part number: 20122



Charger - jack plug
Part number: 20119



Charger - plug with 3 legs
Part number: 20132

